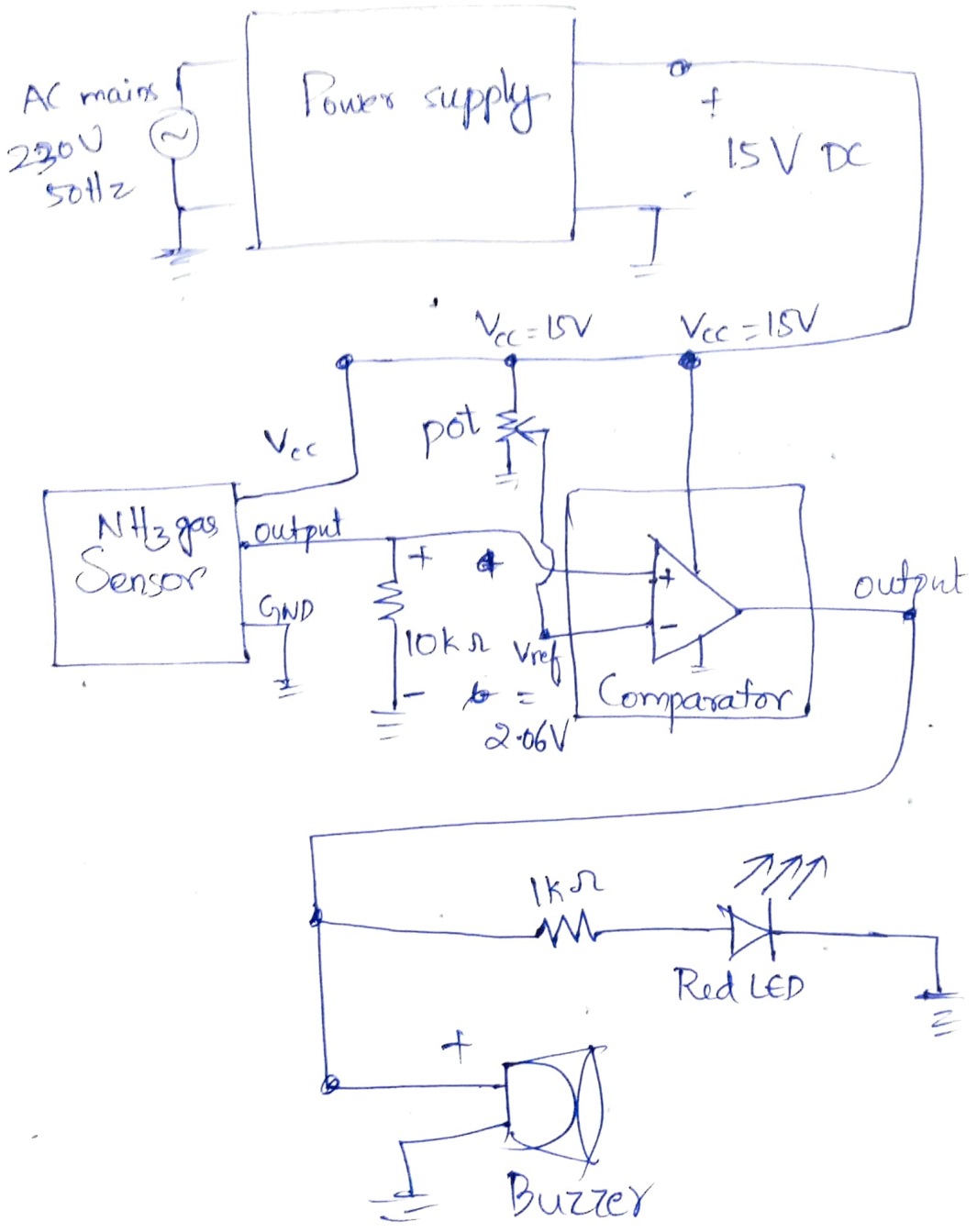


Q3) Block Diagram of the System:



'Pot' above is used as Trim potentiometer  
We can calibrate it initially to get  
desired  $V_{ref} = 2.06V$