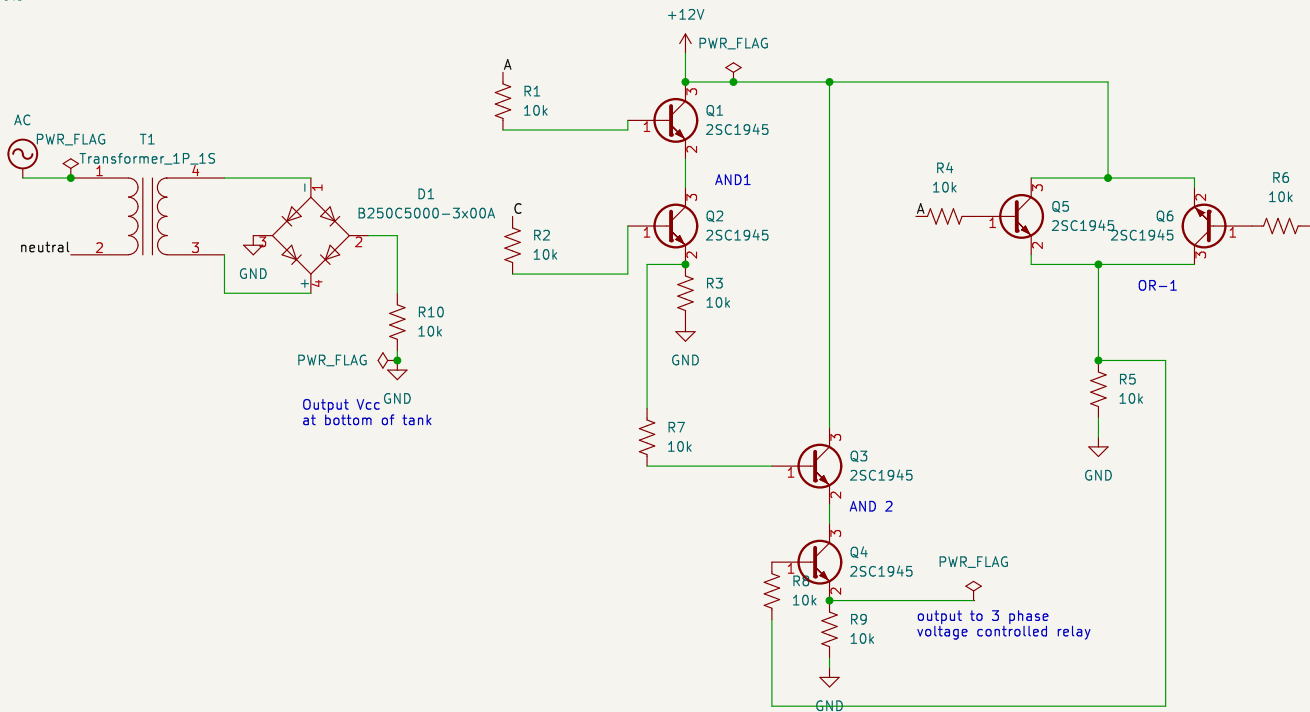


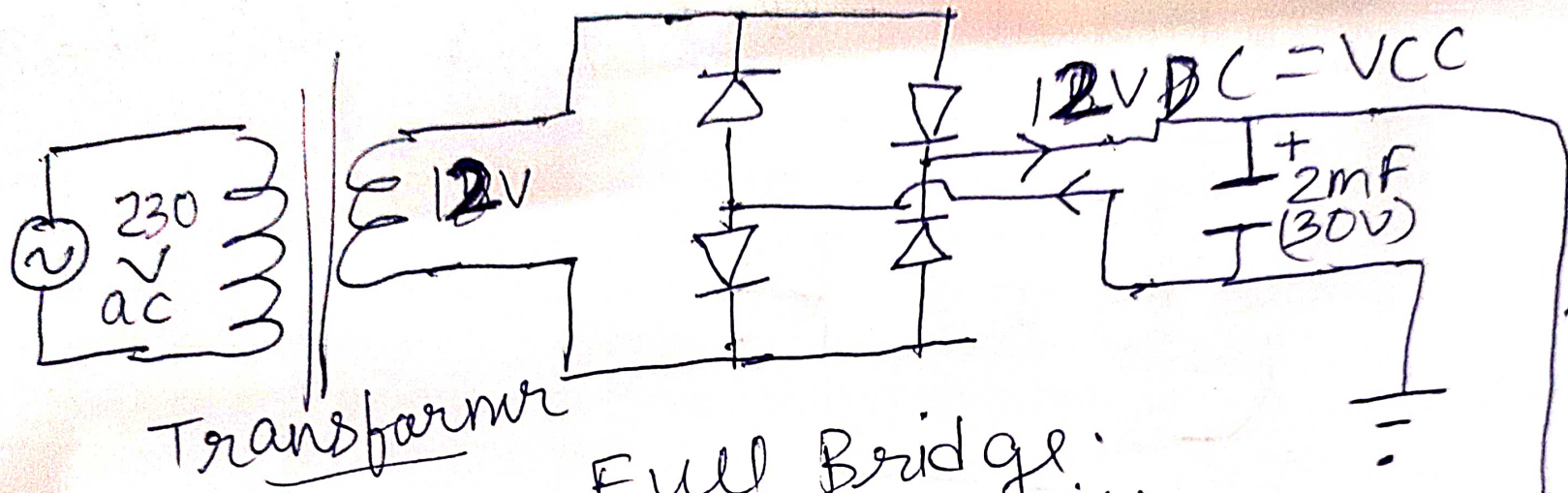
H2 MountingHole



H3 MountingHole

H1 MountingHole

H4 MountingHole



wire connection (Powered)

