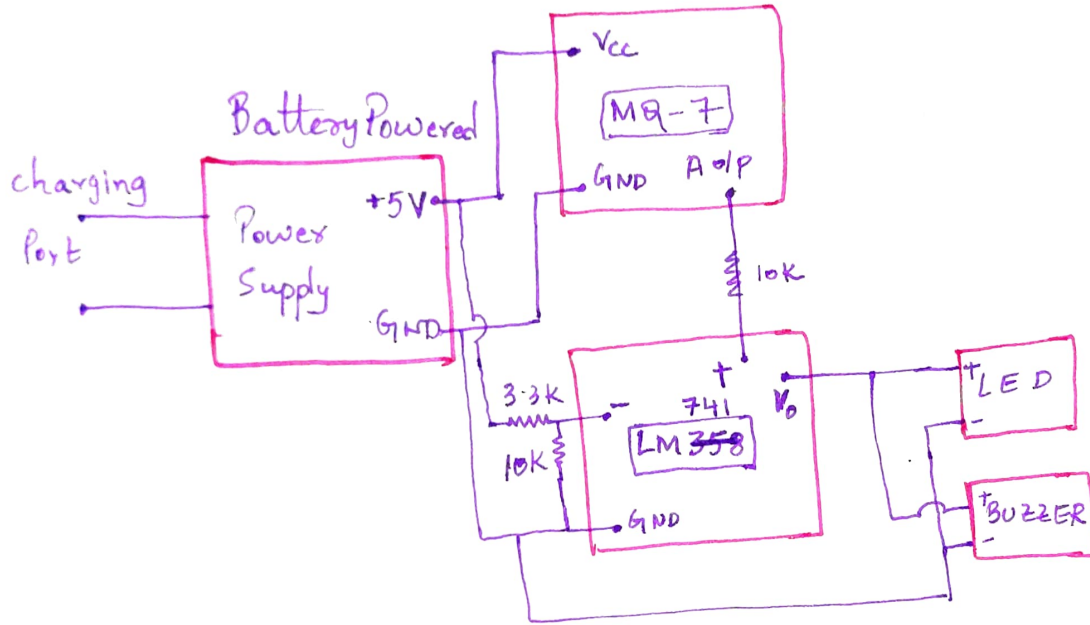


3

Block Diagram :-



4