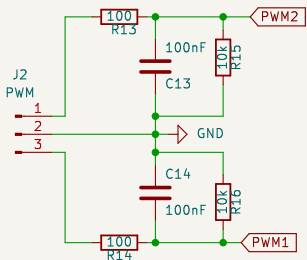
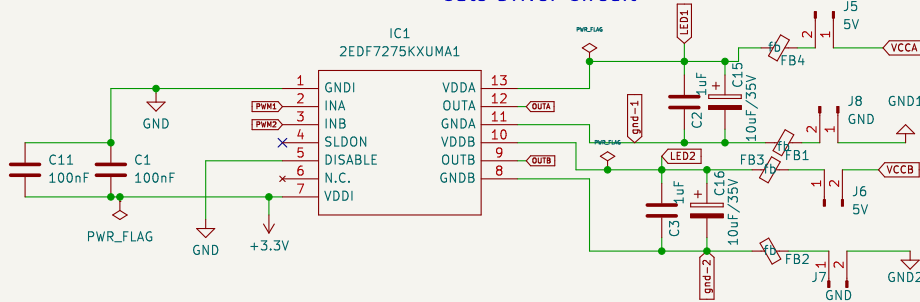


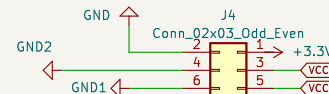
PWM RC Filter



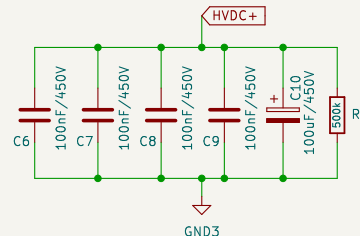
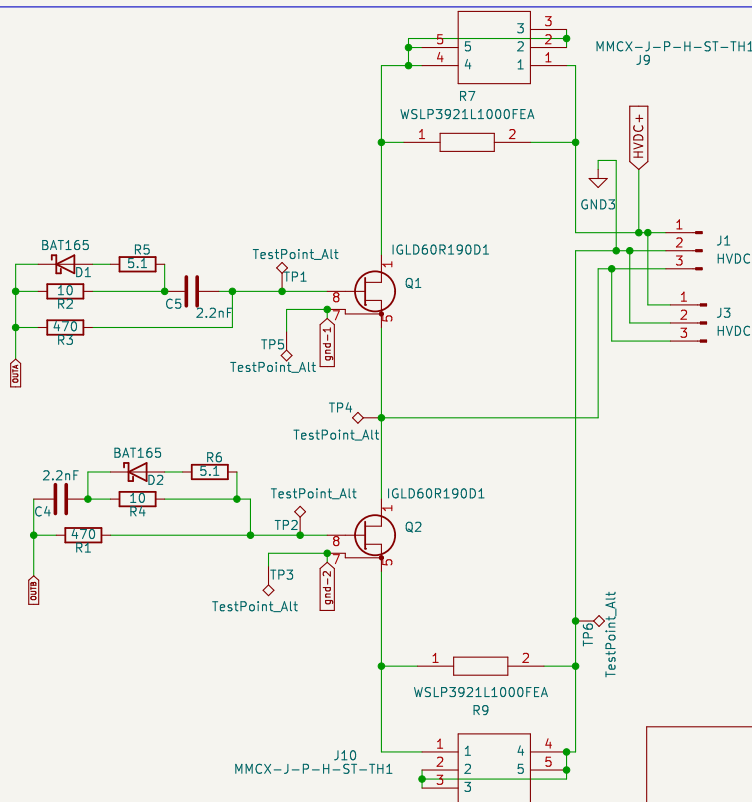
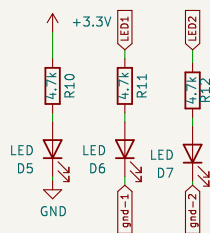
Gate Driver Circuit



ISOLATED 5V DC and 3.3V DC



LEDs



- H1 MountingHole
- H2 MountingHole
- H3 MountingHole
- H4 MountingHole

Sheet:
File: RnD_6th_sem.kicad_sch

Title:

Size: A4 Date:
KiCad E.D.A. kicad (7.0.0)

Rev:
Id: 1/1